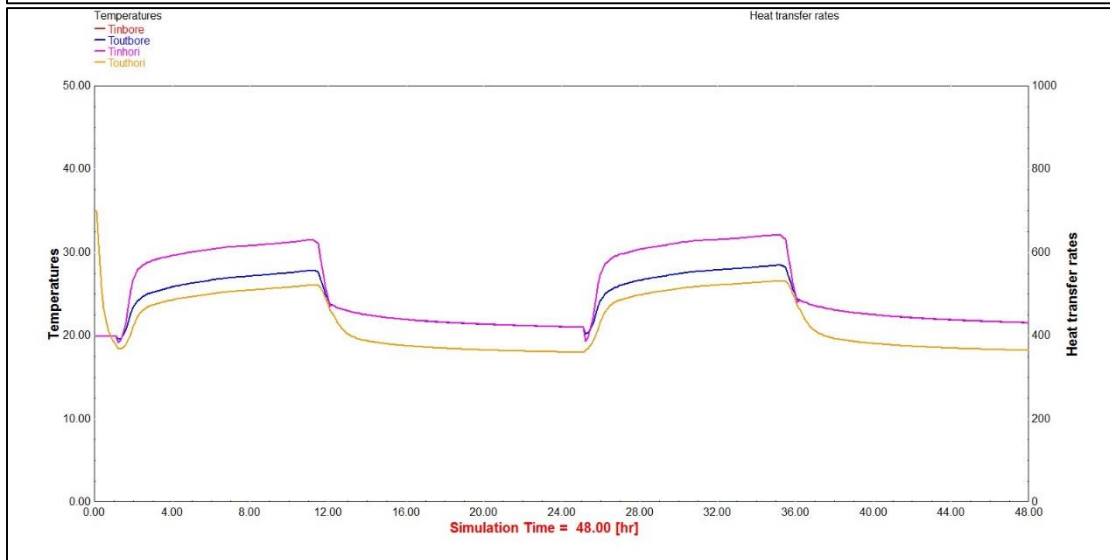
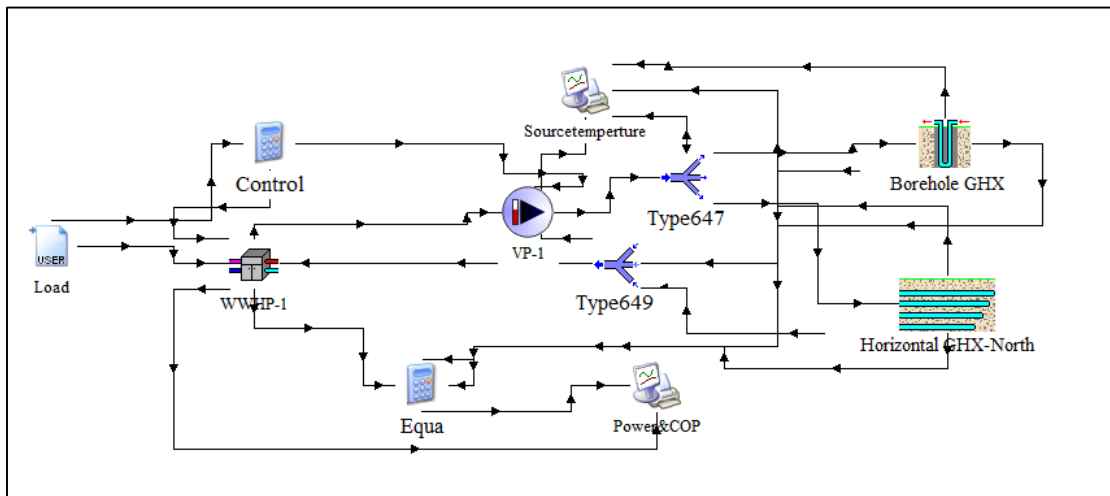


Horizontal Loop & Borehole in Parallel



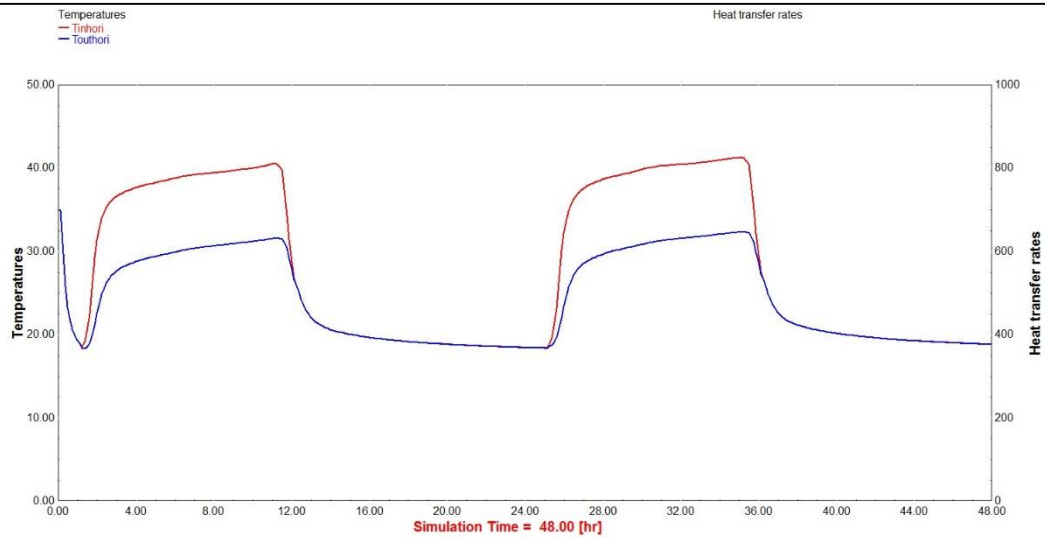
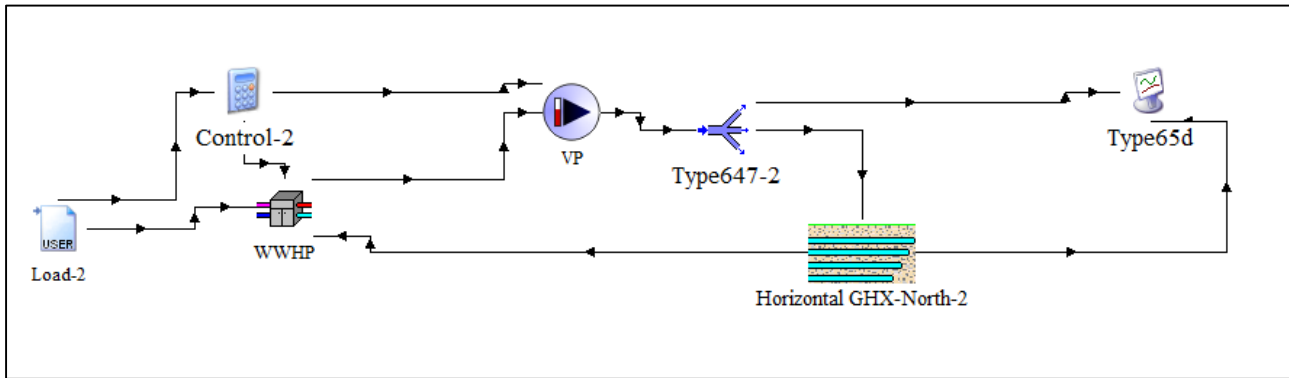
Horizontal Loop & Borehole in Parallel

The pink line: water supply inlet temperature

The blue line: water outlet temperature from the borehole heat exchanger

The orange line: water outlet temperature from the horizontal loop heat exchanger

Horizontal Loop Only



Only Horizontal Loop

The red line: water supply inlet temperature

The blue line: water outlet temperature from the horizontal loop heat exchanger