



Issue 4  
July 2012

# IBPSA-USA Newsletter



Photo of Madison, WI

## Upcoming Events

SimBuild 2012 Conference in Madison, WI, August 1-3, 2012

## BEMBook Workshops

ASHRAE Fall Online Series, Instructors: Erik Kolderup, Joe Deringer, September 11 & 13, 2012:

ASHRAE Winter Meeting, Dallas, TX, Instructors: Ellen Fraconi, Kendra Tupper, January 29, 2013:

## About this Newsletter

The IBPSA-USA Newsletter will be published every 3 months to inform its membership about current and emerging events in building simulation. To submit articles, send email to [newsletter@ibpsa.us](mailto:newsletter@ibpsa.us)

## SimBuild 2012 Conference in Madison, Wisconsin, USA

IBPSA-USA's SimBuild 2012 Conference will be held August 1-3, 2012 at The Madison Concourse Hotel in Madison, Wisconsin. This is the fifth biennial conference held by IBPSA-USA to improve the design and operation of buildings through advances in the modeling and simulation of building performance. The conference schedule and sessions will be posted at: <http://www.ibpsa.us/simbuild2012/>

Registration and accommodations can be found at: <http://www.ibpsa.us/simbuild2012/>

The conference is chaired by Timothy McDowell of Thermal Energy System Specialists, LLC. The scientific committee is chaired by D. Michael Utzinger of the School of Architecture and Urban Planning at the University of Wisconsin-Milwaukee. The conference is hosted in conjunction with the University of Wisconsin-Madison's Department of Engineering Professional Development. For previous conferences and their publications, visit <http://www.ibpsa.us/publications.shtml>

## IBPSA-USA Regional Chapters

IBPSA-USA has provisionally approved eight regional chapters throughout the United States. If you are a group interested in forming a local chapter in your area within

the United States, please contact Shanta Tucker at [shanta.tucker@atelierten.com](mailto:shanta.tucker@atelierten.com)

Approved Provisional Chapters include Boston, Houston, New York City, Raleigh-Durham, San Francisco, Los Angeles, Seattle and Washington DC. For contact and link to these chapters, visit <http://www.ibpsa.us/chapters.shtml>

The regional chapters provide an opportunity for local people to meet and discuss issues that arise in building simulation. The IBPSA-USA board is developing a chapter how-to guide for full chapter incorporation. Major steps required for the regional chapters will be to incorporate in their home state and participate in tax filing under the IBPSA-USA umbrella 501c3. The board is currently working with the Boston and LA chapters to develop the guide along with assistance from a business advisor.

## BEMBook Workshops

IBPSA-USA organized several additional workshops about Building Energy Modeling. These workshops cover modeling fundamentals, ASHRAE 90.1 performance rating, modeling best practices, modeling to inform design and measurement & verifications. Slides can be downloaded from <http://www.bembook.ibpsa.us/index.php?title=Downloads>

The next workshops will be held at the following locations (see [http://www.bembook.ibpsa.us/index.php?title=Plan\\_and\\_Status](http://www.bembook.ibpsa.us/index.php?title=Plan_and_Status) for an updated list and links to registration):

### - September 11 & 13, 2012:

ASHRAE Fall Online Series,  
Instructors: Erik Kolderup, Joe Deringer

- January 29, 2013: ASHRAE Winter Meeting, Dallas, TX,  
Instructors: Ellen Fraconi, Kendra Tupper

## IBPSA-USA Student Grants for SimBuild 2012.

IBPSA-USA granted student scholarships of \$450 plus three night's hotel accommodations to each recipient to attend the SimBuild 2012 conference in Madison, WI.

IBPSA-USA congratulates the following awardees on their grant:

Thomas Zakrzewski  
Michael Georgescu  
Bruno Bueno  
James Sherman  
Amanda Pertzborn  
Humberto Quintara

Timur Dogan  
Amir Rezaeibazkiaei  
Shady Atta  
Justin DeBlois  
J. Alstan Jakubiec  
Ehsan Asaki  
Huang Jianxiang  
Tarek Rakha  
Katherine D'Avignon  
Shan He  
Belafi Zsofia  
Carlos Cerezo  
Won Hee Ko  
Ladan Ghobad  
Benoit Delcroix  
Milton Salcedo  
Nari Yoon  
Michael Street  
Debashree Pal  
Patrick Kenney  
Sanyai Jibonananda  
Romain Jost  
Michae Reiner  
Justin Dobbs  
Sukrett Singh  
Babak Zareiyan  
Benjamin Lee  
Andrea Martinez Arias

## International

International Energy Agency approved 5-year proposal for design and operation of building and community energy systems based on Modelica and Functional Mockup Interface.

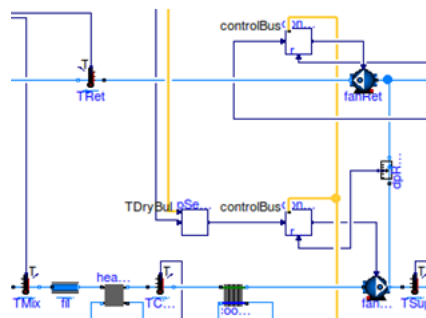


Figure: Partial view of an implementation of a variable air volume flow system in Modelica.

The International Energy Agency, under the implementing agreement on Energy Conservation in Buildings and Community Systems, approved the five-year Annex 60 proposal “New generation computational tools for building and community energy systems based on the Modelica and Functional Mockup Interface design tools, and design tools to operational tools. Invention and deployment of integrated energy-related systems and performance-based solutions for buildings and communities will be accelerated by extending, unifying and documenting existing Modelica libraries, by providing technical capabilities to link existing building performance simulation tools with such libraries and other tools through the Functional Mockup Interface standard. The technology will allow optimized design, analysis and operation of multi-domain systems as posed by building and community energy systems. It will also allow using models across the whole building life cycle to ensure realization and persistence of design intent.

In the first phase from June 2012 to June 2013, a work plan will be created. Upon approval of the work plan there will be a three year R&D phase, followed by a one year reporting phase.

For further questions, please contact the operating agents, Michael Wetter ([MWetter@lbl.gov](mailto:MWetter@lbl.gov)) and Christoph van Treeck ([treeck@e3d.rwth-aachen.de](mailto:treeck@e3d.rwth-aachen.de)).