

Project Name: \_\_\_\_\_  
 Location: \_\_\_\_\_  
 Engineer: \_\_\_\_\_  
 Submitted to: \_\_\_\_\_  
 Submitted by: \_\_\_\_\_  
 Reference: \_\_\_\_\_

Approval: \_\_\_\_\_  
 Date: \_\_\_\_\_  
 Construction: \_\_\_\_\_  
 Unit #: \_\_\_\_\_  
 Drawing #: \_\_\_\_\_

## **Performance**

<i>Indoor Unit Model No:</i>	FXMQ07PVJU
<i>Cooling Capacity (Btu/hr):</i>	7500
<i>Sensible Capacity (Btu/hr):</i>	6483
<i>Cooling Input Power (kW):</i>	0.08
<i>Heating Capacity (Btu/hr):</i>	8500
<i>Heating Input Power (kW):</i>	0.069
<i>Nominal Ext Static Pressure (inH<sub>2</sub>O):</i>	0.12
<i>Max Ext Static Pressure (inH<sub>2</sub>O):</i>	0.4

<i>Indoor Unit Type:</i>	Duct Mounted Standard Static (DC)
<i>Cooling Nominal Conditions</i>	Indoor: 80°F DB, 67°F WB Outdoor: 95°F DB
<i>Heating Nominal Conditions</i>	Indoor: 70°F DB Outdoor: 47°F DB, 43°F WB
<i>Nominal Piping Length</i>	25 ft
<i>Nominal Height Separation</i>	0 ft

## **Indoor Unit Details**

<i>Power Supply (V/Hz/Ph):</i>	208-230/60/1ph
<i>Power Supply Connections:</i>	L1, L2, Ground
<i>Min. Circuit Amps MCA (A):</i>	0.6
<i>Max. Fusible Amps MFA (A):</i>	15
<i>Dimensions (HxWxD):</i>	11-13/16x21-21/32x27-9/16
<i>Panel (HxWxD):</i>	N/A
<i>Net Weight (lbs):</i>	55
<i>Weight with Panel (lbs):</i>	

<i>Airflow Rate (CFM wet coil)</i>	317//230
<i>Moisture Removal (pt/h):</i>	
<i>Gas Pipe Connection (inch):</i>	1/2
<i>Liquid Pipe Connection (inch):</i>	1/4
<i>Condensate Connection (inch):</i>	1-1/4
<i>Sound Pressure Level (dBA):</i>	33
<i>Sound Power Level (dBA):</i>	

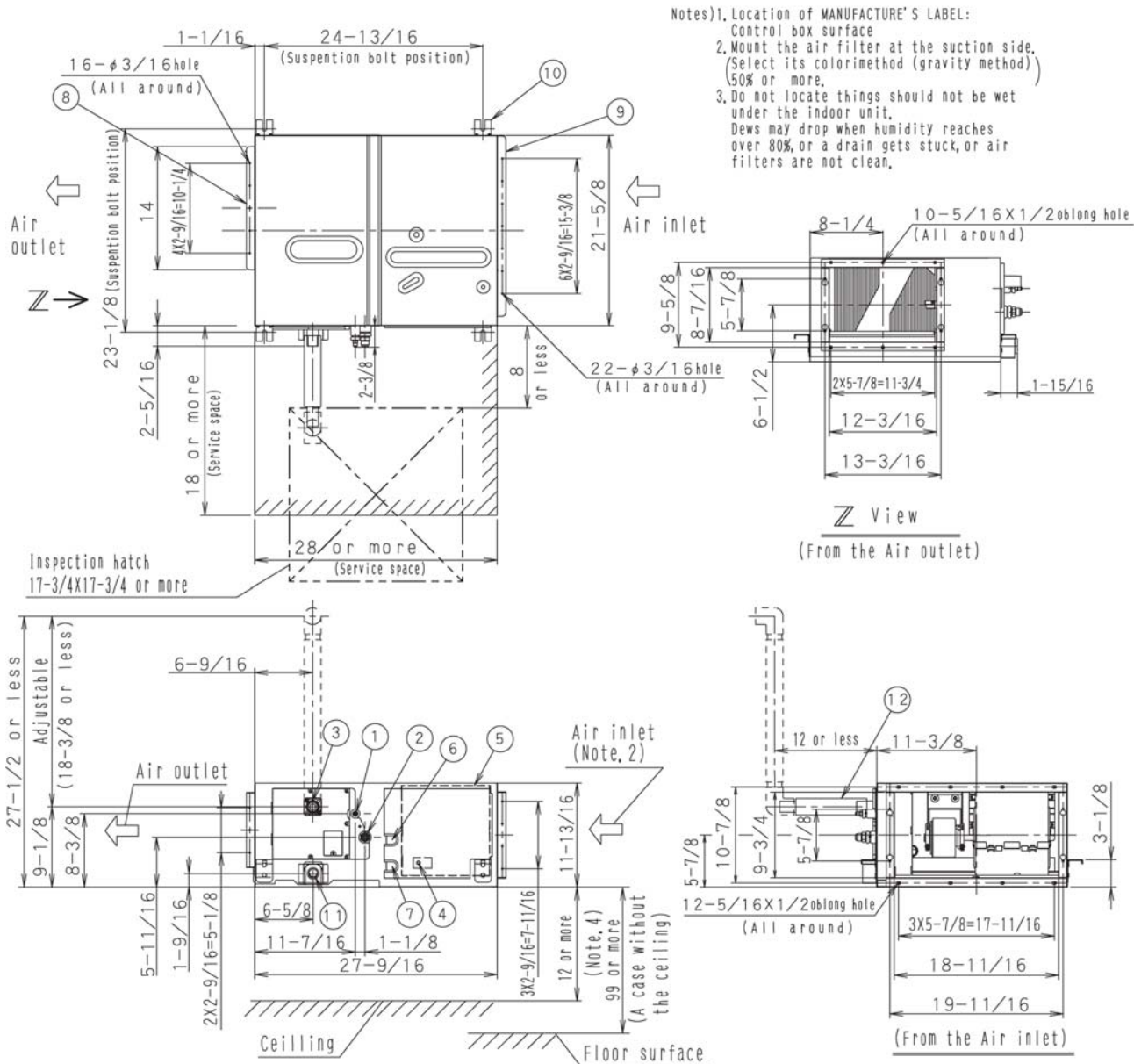
## **Appearance - Indoor Unit**



Project Name: \_\_\_\_\_  
 Location: \_\_\_\_\_  
 Engineer: \_\_\_\_\_  
 Submitted to: \_\_\_\_\_  
 Submitted by: \_\_\_\_\_  
 Reference: \_\_\_\_\_

Approval: \_\_\_\_\_  
 Date: \_\_\_\_\_  
 Construction: \_\_\_\_\_  
 Unit #: \_\_\_\_\_  
 Drawing #: \_\_\_\_\_

## Dimensional Drawing - Indoor Unit



Project Name: \_\_\_\_\_  
Location: \_\_\_\_\_  
Engineer: \_\_\_\_\_  
Submitted to: \_\_\_\_\_  
Submitted by: \_\_\_\_\_  
Reference: \_\_\_\_\_

Approval: \_\_\_\_\_  
Date: \_\_\_\_\_  
Construction: \_\_\_\_\_  
Unit #: \_\_\_\_\_  
Drawing #: \_\_\_\_\_

**Notes**

Std U.S. Warranty: 6yrs Compressor, 1yrs Parts, 1yr Limited Labor